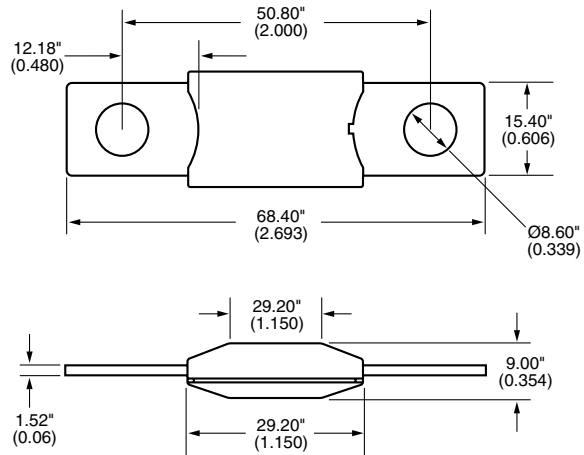


# AMG SERIES



## DIMENSIONS (Dims. are shown for reference only. Consult factory for latest prints)



## BOLT IN AUTOMOTIVE FUSES

### SPECIFICATIONS:

**Applications:** For high current applications. Use with Bussmann HMG or FMG fuseholders. (See pages 12-13.)

**Current Rating:** 100-300A.

**Voltage Rating:** 32VDC.\*

**Interrupt Rating:** 1,000A @ 32VDC.

**Housing Material:** UL-Rated 94V-0 thermoplastic.

**Terminal Material:** Copper.

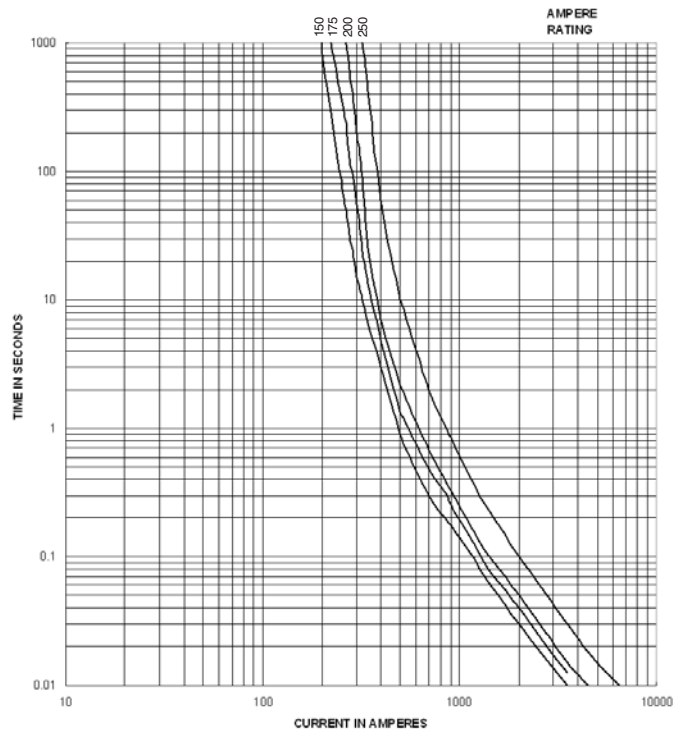
**Mounting:** M8 or 5/16-18 or less studs on 2.00 in (50.8mm) centers.

**Marking:** Color-coded amperage ratings.

\*Consult factory for higher voltage fuses.

### TIME-CURRENT SPECIFICATIONS

| % of Rating | Opening Time |         |
|-------------|--------------|---------|
|             | Minimum      | Maximum |
| 100         | 100 hrs      |         |
| 135         | 120 s        | 1800 s  |
| 200         | 1 s          | 30 s    |
| 350         | 0.1 s        | 5 s     |
| 600         | 0.02 s       | 1 s     |



### PART NUMBERING SYSTEM

Series

B K / A M G — □ □ □

Rating

- 100 – 100 amps
- 125 – 125 amps
- 150 – 150 amps
- 175 – 175 amps
- 200 – 200 amps
- 225 – 225 amps
- 250 – 250 amps
- 300 – 300 amps